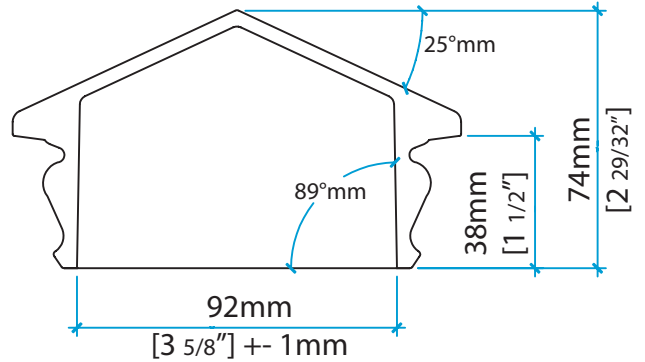
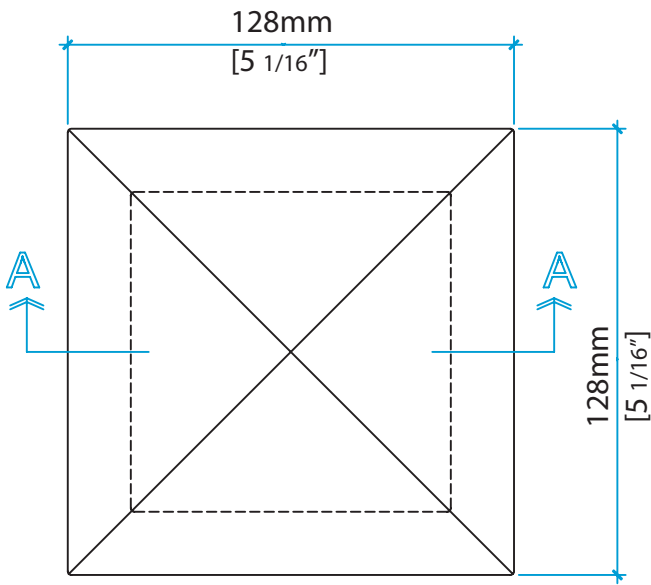


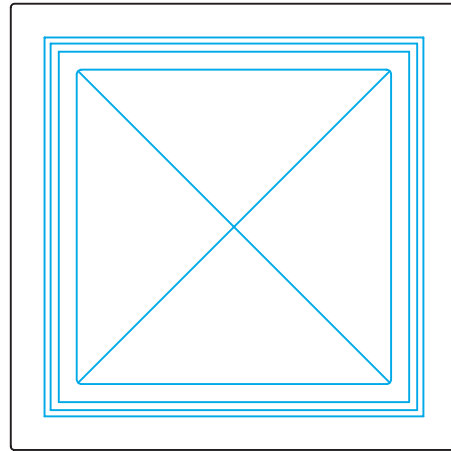
ELEVATION



SECTION A-A



TOP PLAN



BOTTOM PLAN

4x4 GLASS POST CAP

PRINTED DATE: 10/5/04	APPROVALS	REVISIONS		LWO CORPORATION SHEET TITLE: NEW LOW PROFILE Glass post caps	P.O.Box 17125 3841 n.Columbia blvd Portland, OR 97217 503 286 5372 <small>COPYRIGHT 2001 LWO CORPORATION ALL RIGHTS RESERVED. REPRODUCTION IN WHOLE OR IN PART IS STRICTLY PROHIBITED.</small>	
COMPLETE % -	DFTR:	NO.	DATE			DESCRIPTION
DRAWING NO:	CHK:					
-	APPV:					